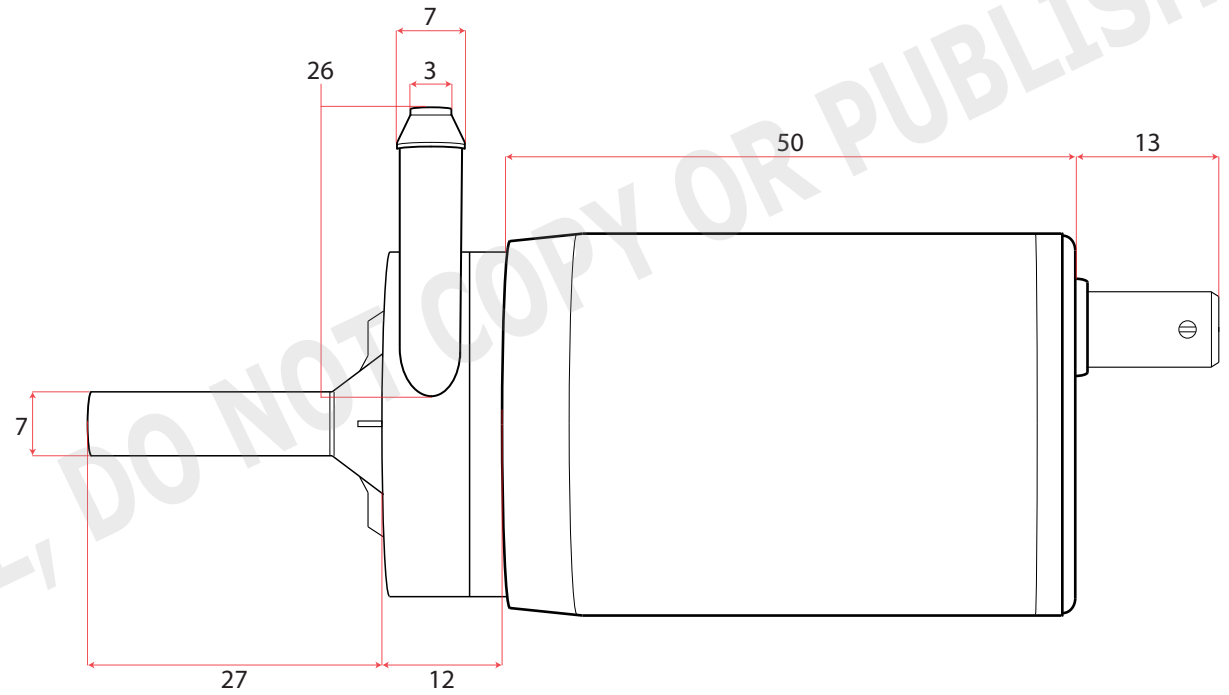
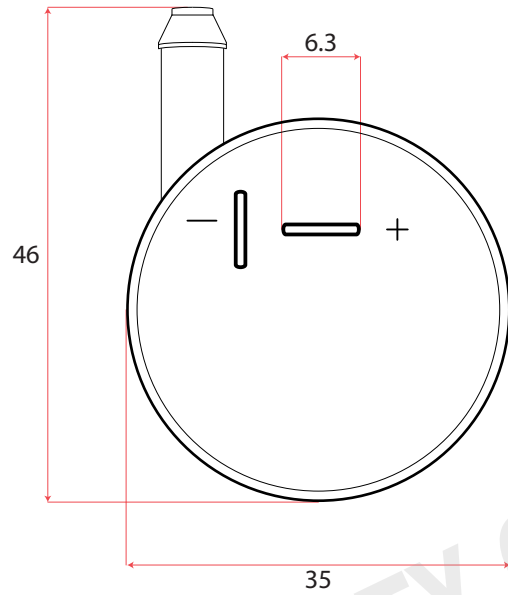


FRONT VIEW

SIDE VIEW



+ / - 5% All Dimensions In MM

Part Number	03-007
Voltage	24V
No Load Current	≤0.5A
Operating Current	3.15A
Max Operating Time	5 Seconds ON, 25 Seconds OFF
Minimum Discharge Pressure (kPa)	180
Minimum Discharge Pressure (BAR)	1.8
Flow Rate (With Jet)	300

Optimal Environment	-30°C~+85°C
Pump Weight (Grams)	82 Grams



Marlborough Works, Marlborough Road, Accrington, BB5 5BE
 Tel: +44 (0) 1254 300 730 Fax: +44 (0) 1254 237432
 e-mail: sales@currentcare.co.uk

© Copyright CurrentCare Ltd 2021

All Measurements And Specifications Are Accurate + / - 5%
 Some Specifications May Vary / Change Without Prior Notice